

LONGER LIFE REDUCED MAINTENANCE

SANDVIK WS6000 AND WS6000H SELF-SUPPORTING SCREENING MEDIA



LONG-WEARING PANELS FOR YOUR TOUGHEST NEEDS

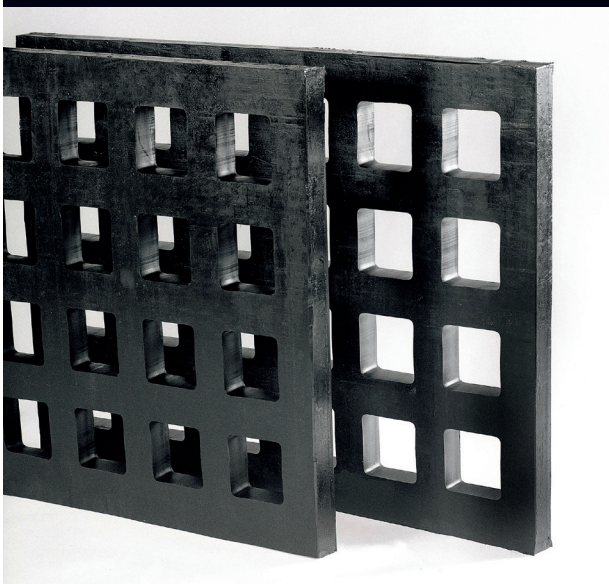
Our Sandvik WS6000 and WS6000H steel-reinforced, self-supporting panels are built to take a heavy beating in your primary scalping applications. These panels are made of hardwearing rubber that has been designed to withstand your heavy-duty needs, giving you a long life, long servicing intervals and reduced maintenance requirements.

The WS6000 and WS6000H screen panels are both designed for medium-coarse to coarse screening in the quarrying and mining industries, and can be made to measure in a number of different lengths, widths, thicknesses and hole sizes. The WS6000H, however, comes with skid bars that keep larger 300-400mm boulders off the panel surface, guiding fine material toward the holes and preventing excessive wear.

up to **5x**
better shock absorption with
the WS6000H, compared to
perforated steel

up to **50%**
reduction of noise

Gives long wear life of up to 4 million
metric tons of feed to the screen



INCREASED PRODUCTIVITY DESIGNED FOR TOUGH CONDITIONS

Our WS6000 and WS6000H self-supporting screening media offer a host of productivity-increasing and hardwearing benefits for the toughest applications.

DESIGNED FOR TOUGH CONDITIONS

Our self-supporting WS6000 and WS6000H panels have steel reinforcement that gives greater strength for resisting the impact of heavy material. They are secured using our Sandvik hardwearing side hold down-securing system and on screens wider than 1,5 m center hold down as well.

LONG LIFE AND REDUCED MAINTENANCE

The WS6000 and WS6000H panels are made of resilient rubber that is designed to cope with heavy-duty applications, giving you longer wear life and longer service intervals. The flexibility of the rubber also reduces the risk of pegging and blinding, further reducing your maintenance requirements.

IMPROVED WORKING ENVIRONMENT

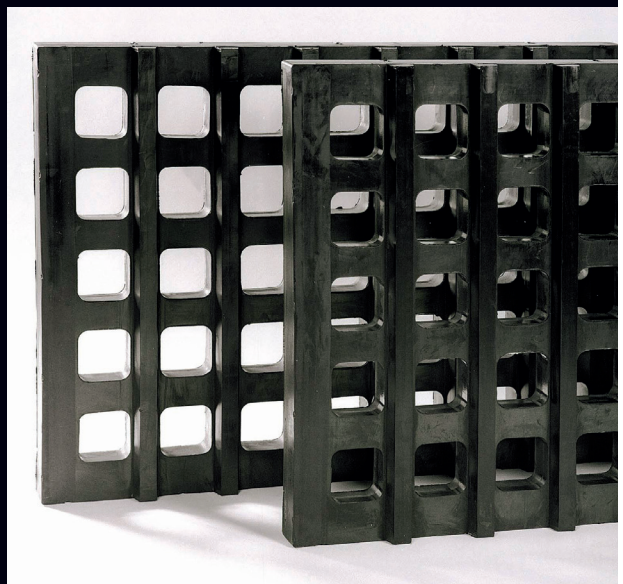
By mounting the WS6000 and WS6000H rubber panels on the screens, you can significantly reduce the noise level in your plant and improve the working environment.

TAILOR-MADE TO SUIT YOUR NEEDS

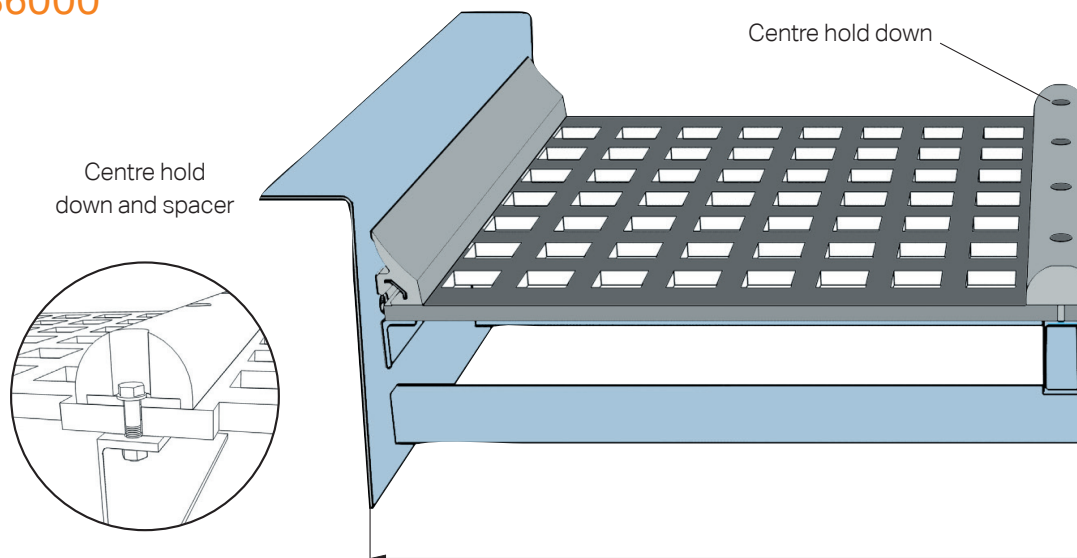
Our WS6000 and WS6000H panels can be manufactured in a number of different lengths, widths, thicknesses and hole sizes – primarily for coarse separations.

IMPROVED CAPACITY AND UPTIME (WS6000H)

The skid bars on the WS6000H panels improve your capacity and increase your uptime by lifting bigger boulders from the surface of the panel, allowing undersized material to pass through easily and efficiently.



WS6000



TYPE

WS6000 flat self-supporting rubber screen panel.

DIMENSIONS

Thickness (mm)	Width Max (mm)	Width Max (mm)
40, 50, 55, 60, 70	2,700	1,000
40	1,670	1,670
50	1,650	1,650
55	1,640	1,640
60	1,630	1,630
70	1,600	1,600

Max. width without centre hold down 1,200 mm.

INSTALLATION

Sandvik self-supporting screening media is designed for flat open frame screens. For screen widths up to 1200 mm, no central longitudinal support is needed, as the panels should be clamped along the sides of the screen box. On wider screens a center hold down bar or additional fastening bolts must be used.

MATERIALS

Wearing material	60 Shore A rubber.
Reinforcement	Angle steel bar frame and steel flat bar cross members.
Tensioning device	Side hold down and centre hold down.

APERTURES

Holes in 55 and 70mm-thick panels are molded with a release angle, while 40, 50 and 60 mm panels have punched holes.

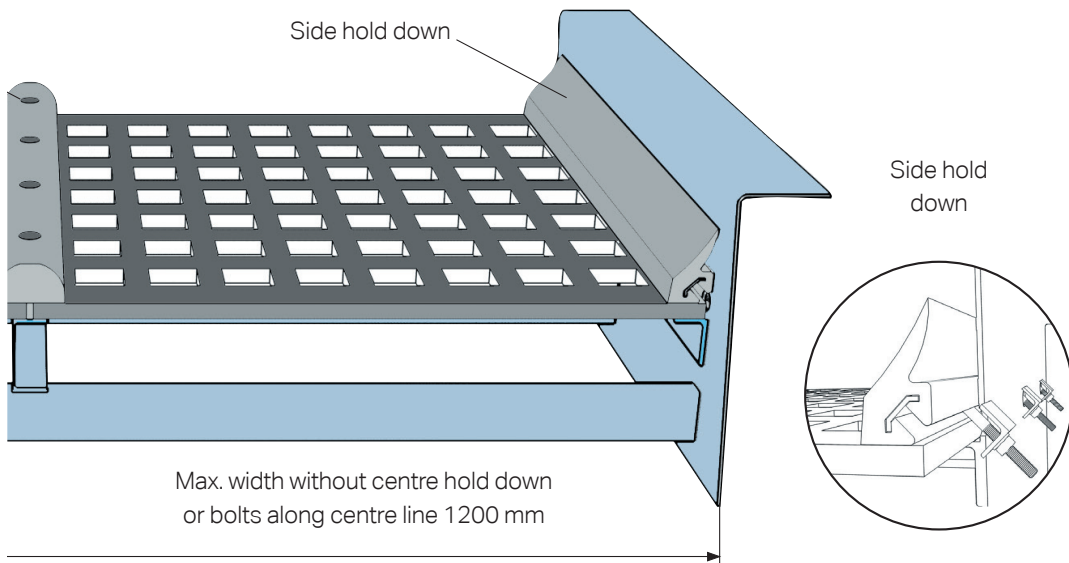
Punched holes in t=40, 50 and 60 mm, max. hole size 90 mm.

Molded square holes in t=55+20 FR50, 55, 60, 65, 70 and 75 mm

Molded square holes in t=70+50 FR80, 85, 90 and 100

Molded square holes in t=70+60 FR110, 120 and 140 mm

Slotted apertures also available



- FR** Square holes in line : Used under normal conditions.
- FS** Square holes staggered: Used to prevent fines tracking with high fines content or on short screens. Slightly reduced open area.
- SL, SLS** Slots with the material flow: Used when higher capacity is desired, accuracy (oversize control) is less important and to avoid pegging in small apertures.
- CR, CS** Round holes: Used for screening coarse crushed material only when extra long wear life is required. Increased risk of pegging. Less open area.

APPLICATIONS

This is a strong and reliable self-supporting screening element designed for coarse screening with separations from 45 mm and up with a max feed lump size up to 300 mm.

RECOMMENDED THICKNESS AND AREA OF USE

SEPARATION (MM)	MAX PARTICLE SIZE (MM)**											
	10	20	30	50	75	100	125	150	200	250	300	
45	-	-	-	-	40, 55*	40, 55*	40, 55*	40, 55*	-	-	-	
63	-	-	-	-	40, 55*	40, 55*	40, 50 55*	40, 50 55*	50, 55*	60	60	-
70 - 90	-	-	-	-	-	70*	70*	70*	70*	70*	70*	
105	-	-	-	-	-	-	70*	70*	70*	70*	70*	
120	-	-	-	-	-	-	-	70*	70*	70*	70*	

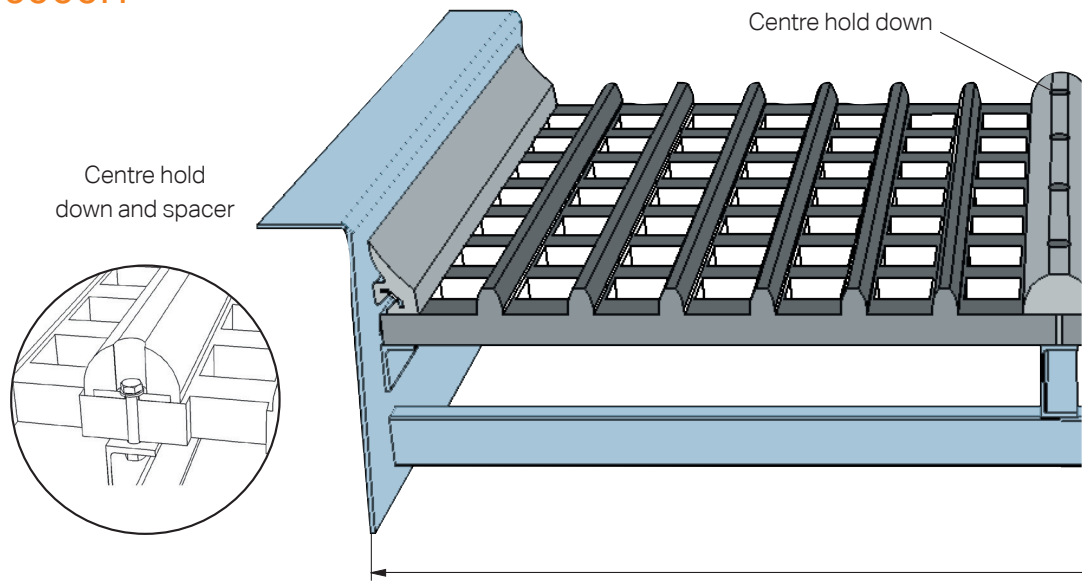
- = Recommended area of use ● = Improbable application * Moulded apertures
- = Borderline case ● = Not recommended ** Bulk density max. 1.8 metric ton/m3

If your application falls outside the limits specified above, please contact your Sandvik Mining and Construction representative.

NOTE

Do not use in applications with any amount of oil present. The recommended hole size should be 1.25–2.5 times the screen panel thickness (punched holes).

WS6000H



TYPE

WS6000H self-supporting rubber screen panel.

DIMENSIONS

Thickness (mm) Panels + Ribs	Width Max (mm)	Width Max (mm)
55 + 20, 70 + 50, 70 + 60	2,700	1,000
55 + 20, 70 + 50, 70 + 60	1,600	1,220
Max. width without centre hold down 1,200 mm.		

INSTALLATION

Sandvik self-supporting screening media is designed for flat open frame screens. For screen widths up to 1200 mm, no central longitudinal support is needed, as the panels should be clamped along the sides of the screen box. On wider screens a center hold down bar or additional fastening bolts must be used.

MATERIALS

Wearing material	60 Shore A rubber.
Reinforcement	Angle steel bar frame and steel flat bar cross members.
Tensioning device	Side hold down and centre hold down.

APERTURES

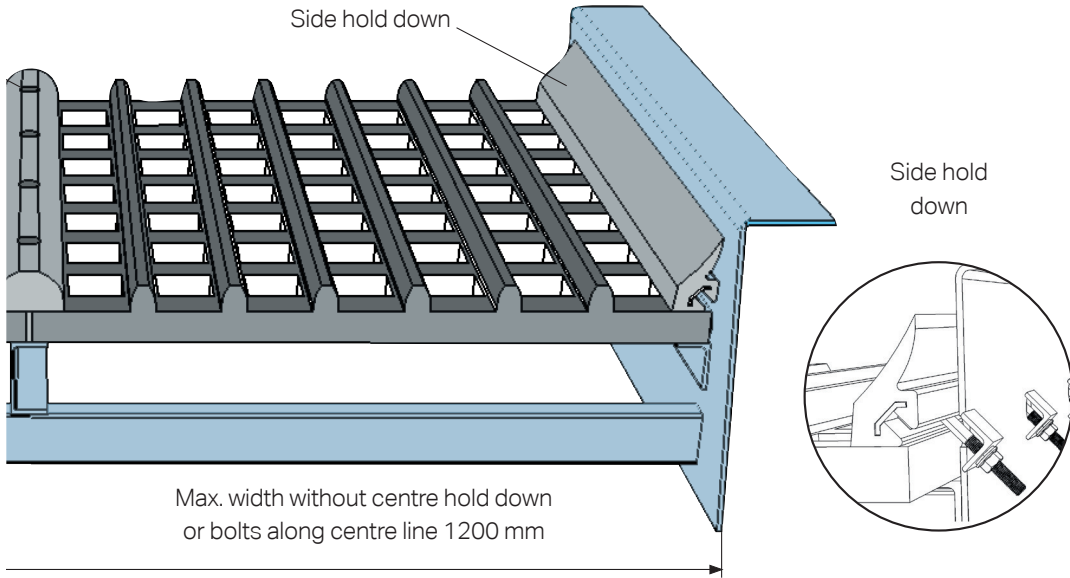
Holes are molded with a release angle, allowing for thick panels without increased risk of pegging.

Molded square holes in t=55+20 FR50, 55, 60, 65, 70 and 75 mm

Molded square holes in t=70+50 FR80, 85, 90 and 100

Molded square holes in t=70+60 FR110, 120 and 140 mm

Slotted apertures also available



FR Square holes in line : Used under normal conditions.

SL, SLS Slots with the material flow: Used when higher capacity is desired, accuracy (oversize control) is less important and to avoid pegging in small apertures.

APPLICATIONS

This is a strong and reliable self-supporting screening element designed for coarse screening with separations from 45 mm and up with a max feed lump size up to 400 mm.

RECOMMENDED THICKNESS AND AREA OF USE

SEPARATION (MM)	MAX PARTICLE SIZE (MM)*											
	10	20	30	50	75	100	125	150	200	250	300-400	
45	-	-	-	-	55+20	55+20	55+20	55+20	55+20	55+20	55+20	-
63	-	-	-	-	55+20	55+20	55+20	55+20	55+20	55+20	55+20	-
70 - 90	-	-	-	-	-	70+50	70+50	70+50	70+50	70+50	70+50	70+50
105	-	-	-	-	-	-	70+60	70+60	70+60	70+60	70+60	70+60
120	-	-	-	-	-	-	-	70+60	70+60	70+60	70+60	70+60

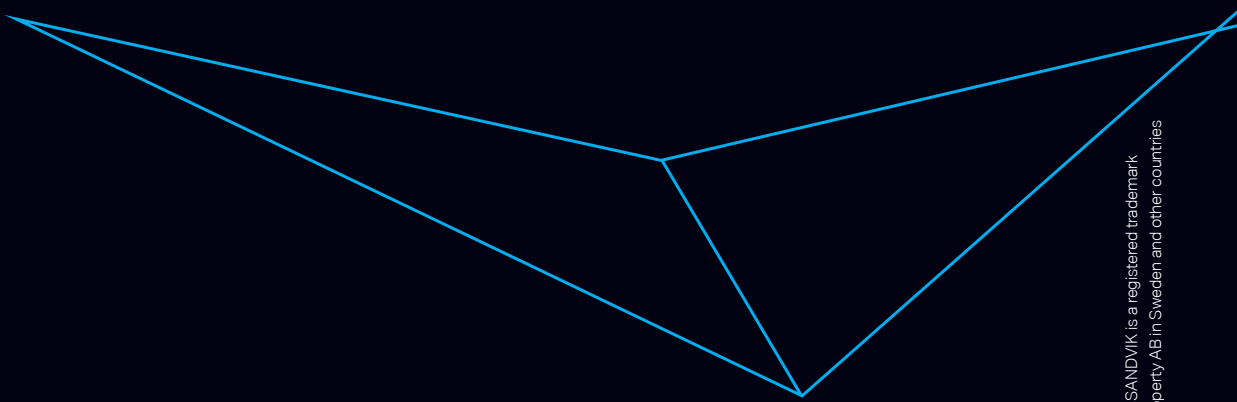
- = Recommended area of use
- = Borderline case
- = Improbable application
- = Not recommended

* Bulk density max. 1.8 metric ton/m3

If your application falls outside the limits specified above, please contact your Sandvik Mining and Construction representative.

NOTE

Do not use in applications with any amount of oil present. The recommended hole size should be 1.25–2.5 times the screen panel thickness (punched holes).



BS-857/ENG © Sandvik AB 2017 SANDVIK is a registered trademark owned by Sandvik Intellectual Property AB in Sweden and other countries

Test results are to be considered as results reached under certain and controlled test conditions. These test results should not be treated as specifications and Sandvik does not guarantee, warrant or represent the outcome of test results in any or all circumstances.

CONSTRUCTION.SANDVIK.COM

