

SANDVIK

SANDVIK BR555i HYDRAULIC BREAKER

TECHNICAL SPECIFICATION

Sandvik BR555i breaker is extremely versatile and efficient. It can be utilized in several different applications, thanks to its ability to be mounted on a wide range of carriers. The equipment can accept a wide range of oil flows and tolerating high back pressures, ensuring productivity in the most challenging environments.

The Sandvik BR555i is reliable and durable with long wear times on all parts. Membrane-type accumulator assists with power strokes while protecting against hydraulic spikes. This enables consistently high productivity while maintaining stability and safety.

Field replaceable tool bushing and a low-maintenance design ensure optimum breaker uptime, and the fact that all parts are readily available ensures they are easy to replace. The BR555i is highly efficient with low operating costs.

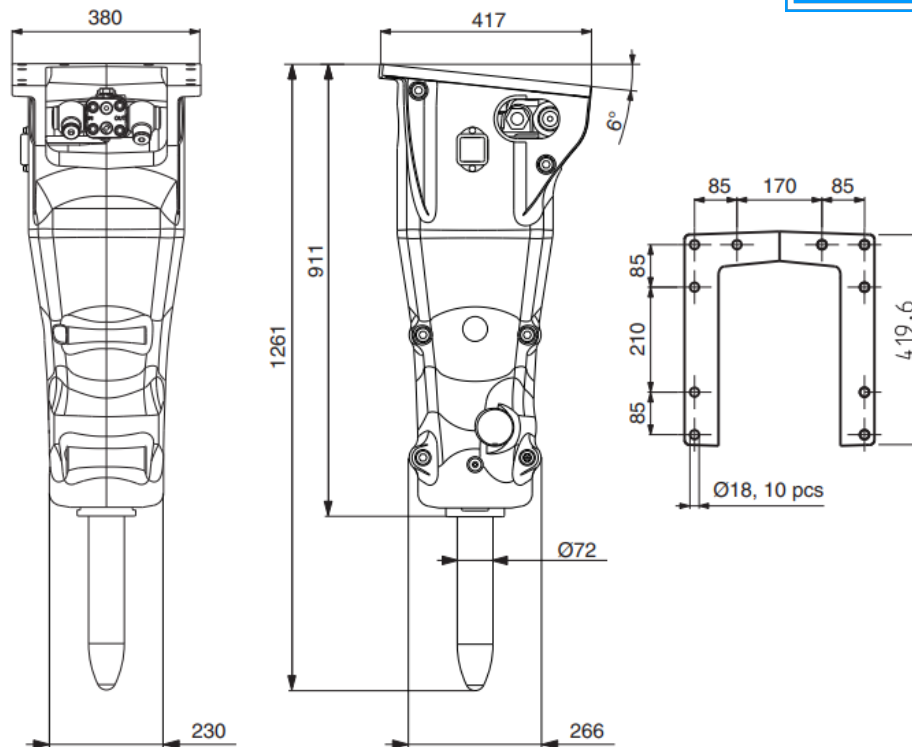
The BR555i is designed for primary and secondary demolition, boom mounted applications, trenching, landscaping, ground compacting, recycling and cutting of asphalt or frozen ground.

Sandvik also offers two special models in the BR555i size class. **Scaler** is designed for demanding scaling applications and equipped with automatic greasing and air channels that protect the breaker's internal parts against dust. **Heavy Duty** breakers are developed for harsh conditions and high wear applications.

KEY FEATURES AND ADVANTAGES

- Twin handed, smart
- High pressure membrane accumulator
- Vibration and sound suppressed
- Flange mounting
- CBE+ (Constant Blow Energy plus) gives consistent performance
- No tie rods
- Single part tool bushing retained with shared tool pin
- RD3 incl. MyFleet (as standard)
- Broad carrier range gives the equipment real versatility





TECHNICAL SPECIFICATION BR555i

Minimum working weight, flange mounted, kg (lb)	275 (610)
Impact rate, bpm	600-1800
Operating pressure, bar (psi)	90-140 (1305-2030)
Pressure relief, max bar (psi)	220 (3190)
Oil flow range, l/min (gal/min)	35-90 (9.2-23.8)
Back pressure, max bar (psi)	20 (290)
Input power, kW (hp)	21 (28)
Tool diameter, mm (in)	72 (2.83)
Mini excavator weight, allowed range t (lb)	3.2-8.0 (7100-17600)
Skid steer weight, allowed range t (lb)	1.9-5.3 (4200-11700)
Noise level, measured sound power level, LWA dB	118
Noise level, guaranteed sound power level, LWA dB	122

*Disclaimer: Please contact a Sandvik representative for clarification on specifications and options. Sandvik reserves the right to make changes to the information on this data sheet without prior notification to users.