

# SANDVIK

## SANDVIK BR4099i HYDRAULIC BREAKER

### TECHNICAL SPECIFICATION

Sandvik BR4099i hydraulic breaker has been designed using a revolutionary operating principle that incorporates stroke length, blow energy and Sandvik's idle blow protection, allowing the breaker to be modified to match individual needs and improving hydraulic efficiency and safety.

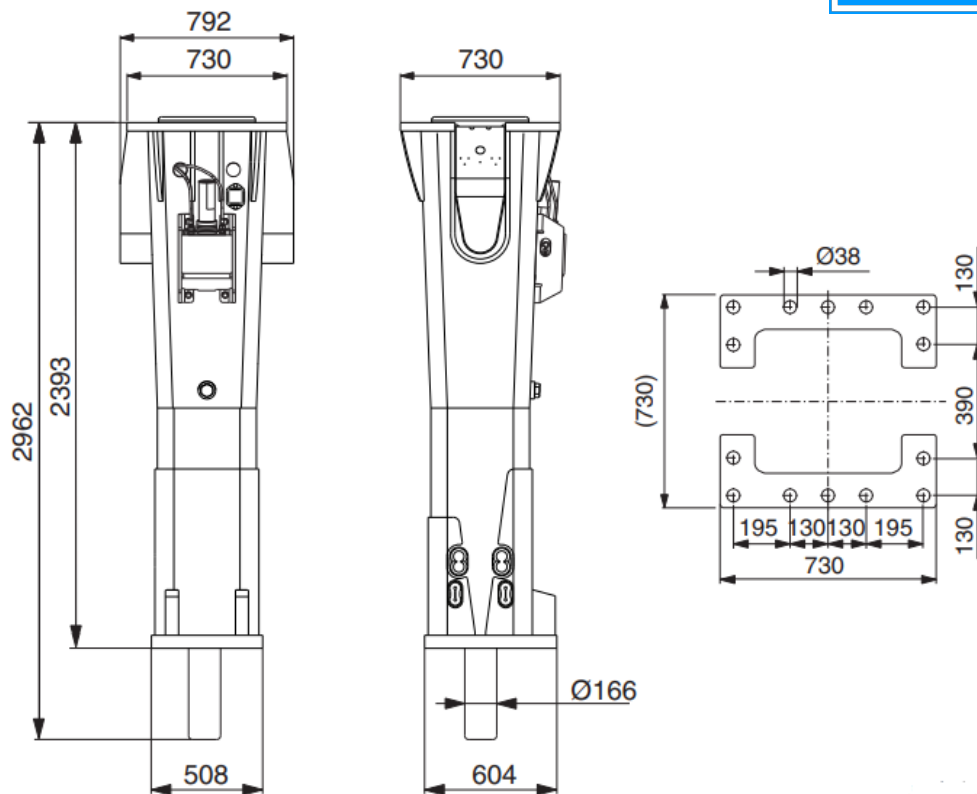
The BR4099i has been designed for demanding applications such as primary breaking, trenching, concrete and stone demolition, low-clearance tunneling and underwater breaking. The breaker delivers tremendous impact energy and high blow frequency for an exceptional power-to-weight ratio. The engineering solutions of the BR4099i aim for high-efficiency and productivity at lower operating costs.

The standard model of the BR4099i includes a range of features, and even more features are available as an option, depending on the requirements of your specific task.

#### KEY FEATURES AND ADVANTAGES

- Indexable power cell (left or right handed)
- High pressure membrane accumulator
- Service access to high pressure membrane accumulator
- Vibration and sound suppressed
- Heavy Duty housing (round corners) and Super Duty housing (sharp corners)
- Stone claws on housing
- Optimized hydraulic connection points towards carrier
- FBE (Fixed Blow Energy) for optimum productivity
- RamValve to protect against premature failure
- IBP (Idle Blow Protection) adjustment in the field
- Stroke selector
- VIDAT (Vibration Dampened) tie rods for better reliability and longer working life
- Fast-change tool system
- Field replaceable lower tool bushing
- Ramlube I automatic tool greasing system carrier mounted (optional)
- Ramlube II automatic tool greasing system carrier mounted (optional)
- RD3 incl. MyFleet (as standard)
- Air connection
- Ramair (optional)





### TECHNICAL SPECIFICATION BR4099i

Minimum working weight, flange mounted, kg (lb)	3380 (7450)
Impact rate, Long stroke bpm	400-560
Impact rate, Short stroke	520-700
Operating pressure, bar (psi)	150-160 (2175-2320)
Pressure relief, min bar (psi)	210 (3045)
Pressure relief, max bar (psi)	230 (3335)
Oil flow range, l/min (gal/min)	250-350 (66.0-92.5)
Back pressure, max bar (psi)	12 (175)
Input power, kW (hp)	93 (125)
Tool diameter, mm (in)	166 (6.54)
Carrier weight, allowed range t (lb)	36-55 (79400-121300)
Noise level, measured sound power level, LWA dB	126
Noise level, guaranteed sound power level, LWA dB	130

\*Disclaimer: Please contact a Sandvik representative for clarification on specifications and options. Sandvik reserves the right to make changes to the information on this data sheet without prior notification to users.