

SANDVIK

SANDVIK BR3288i HYDRAULIC BREAKER

TECHNICAL SPECIFICATION

Sandvik BR3288i hydraulic breaker has been designed using a revolutionary operating principle that combines stroke length, blow energy and Sandvik's idle blow protector, allowing the breaker to be modified to match individual needs and improving hydraulic efficiency and safety.

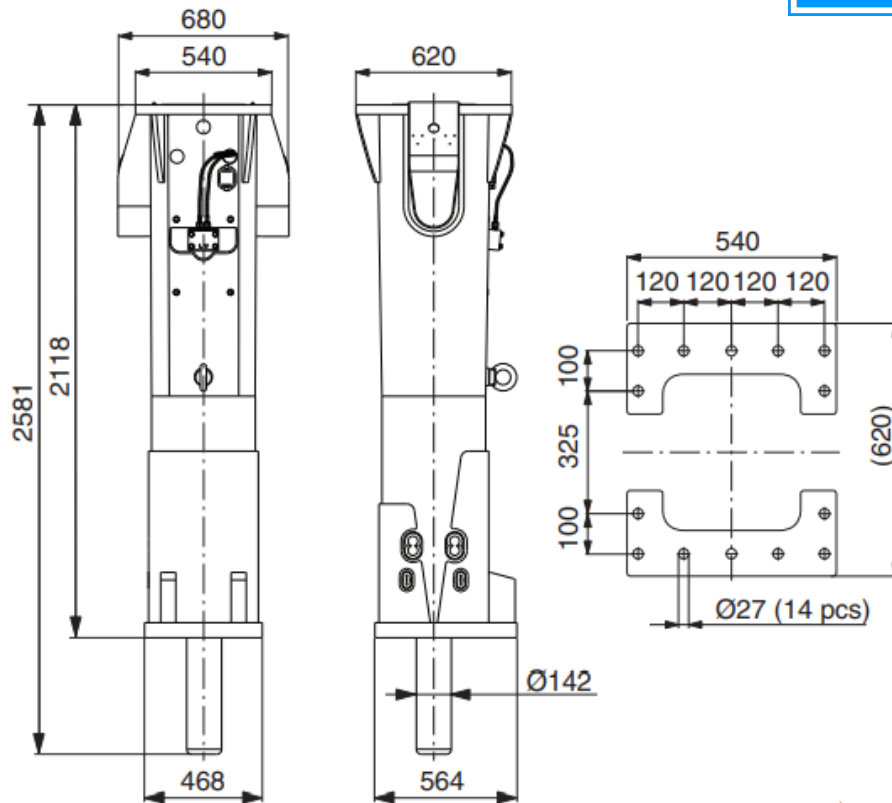
The BR3288i has been designed to be easy to maintain and service, allowing you to maximize productivity and uptime. A range of features is included in the standard model, and even more available as options, depending on your specific task's requirements. The applications include primary and secondary breaking, underwater breaking, trenching, primary and secondary demolition, tunneling and metallurgical industry.

The BR3288i delivers tremendous impact energy and high blow frequency for an exceptional power-to-weight ratio.

KEY FEATURES AND ADVANTAGES

- Indexable power cell (left or right handed)
- High pressure membrane accumulator
- Service access to high pressure membrane accumulator
- Vibration and sound suppressed
- Heavy Duty housing (round corners) and Super Duty housing (sharp corners)
- Stone claws on housing
- Optimized hydraulic connection points towards carrier
- FBE (Fixed Blow Energy) for optimum productivity
- RamValve to protect against premature failure
- IBP (Idle Blow Protection) adjustment in the field
- Stroke selector
- VIDAT (Vibration Dampened) tie rods for better reliability and longer working life
- Fast-change tool system
- Field replaceable lower tool bushing
- Ramlube I automatic tool greasing system carrier mounted (optional)
- Ramlube II automatic tool greasing system carrier mounted (optional)
- RD3 incl. MyFleet (as standard)
- Air connection
- Ramair (optional)





TECHNICAL SPECIFICATION BR3288i

Minimum working weight, flange mounted, kg (lb)	2350 (5181)
Impact rate, Long stroke bpm	370-630
Impact rate, Short stroke	460-740
Operating pressure, bar (psi)	150-160 (2175-2320)
Pressure relief, min bar (psi)	220 (3190)
Pressure relief, max bar (psi)	240 (3480)
Oil flow range, l/min (gal/min)	160-250 (42.3-66.0)
Back pressure, max bar (psi)	10 (145)
Input power, kW (hp)	67 (90)
Tool diameter, mm (in)	142 (5.59)
Carrier weight, allowed range t (lb)	26-42 (57300-92600)
Noise level, measured sound power level, LWA dB	124
Noise level, guaranteed sound power level, LWA dB	128

*Disclaimer: Please contact a Sandvik representative for clarification on specifications and options. Sandvik reserves the right to make changes to the information on this data sheet without prior notification to users.