

**SANDVIK**

# SANDVIK BR2155i HYDRAULIC BREAKER

## TECHNICAL SPECIFICATION

Sandvik BR2155i hydraulic breaker offers operators greater visibility and better accessibility in trenching and demolition with its slim and robust body. It features a replaceable bottom plate and wear-resistant steel construction and is a breaker built to last.

Sandvik BR2155i incorporates a piston and tool that are perfectly matched to ensure maximum energy transfer for optimum power and breaking efficiency.

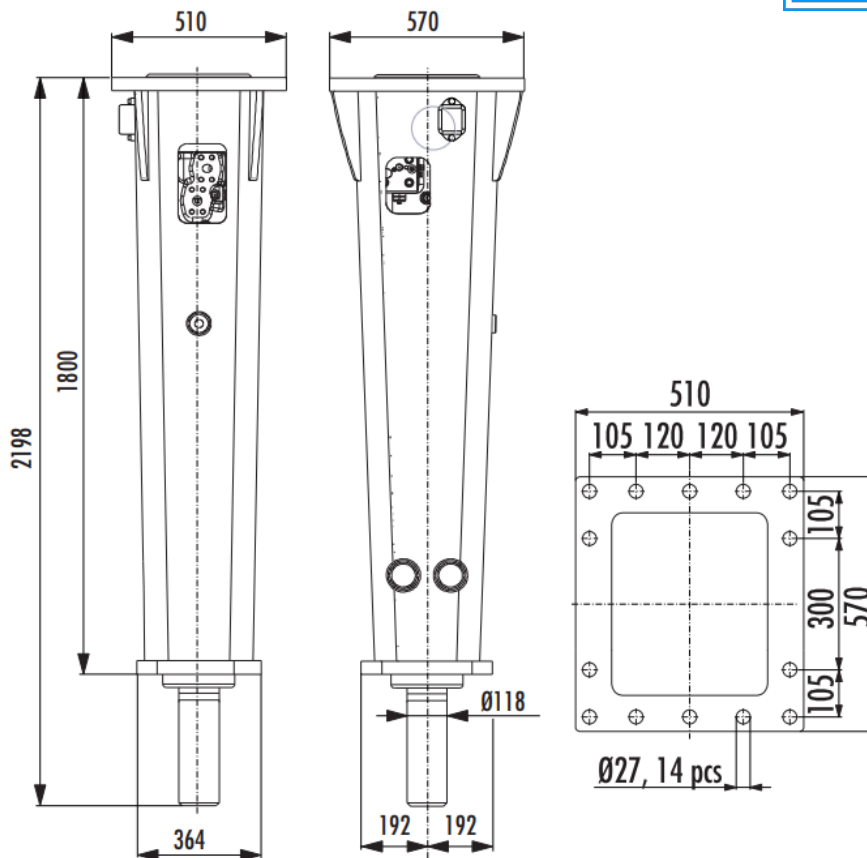
Due to its design, the BR2155i can reach places other breakers of the same size can't. The applications include secondary breaking, underwater breaking, trenching and primary demolition.

The equipment is reliable, versatile and productive. Maintenance and servicing are kept simple, allowing you to benefit from maximized uptime.

### KEY FEATURES AND ADVANTAGES

- Twin-handed to increase stability
- High pressure membrane accumulator
- Vibration and sound suppressed
- FBE (Fixed Blow Energy) for optimum productivity
- IBP (Idle Blow Protection) adjustment in the field
- VIDAT (Vibration Dampened) tie rods for better reliability and longer working life
- Fast -change tool system
- Ramlube I automatic tool greasing system carrier mounted (optional)
- Ramlube II automatic tool greasing system carrier mounted
- RD3 incl. MyFleet (as standard)
- Air connection
- Ramair (optional)
- Wheeled excavator breaker





### TECHNICAL SPECIFICATION BR2155i

Minimum working weight, flange mounted, kg (lb)	1240 (2730)
Impact rate, bpm	490-780
Operating pressure, bar (psi)	140-160 (2030-2320)
Pressure relief, min bar (psi)	220 (3190)
Pressure relief, max bar (psi)	240 (3480)
Oil flow range, l/min (gal/min)	120-180 (31.7-47.6)
Back pressure, max bar (psi)	10 (145)
Input power, kW (hp)	48 (64)
Tool diameter, mm (in)	118 (4.65)
Carrier weight, allowed range t (lb)	14-26 (30900-57300)
Noise level, measured sound power level, LWA dB	124
Noise level, guaranteed sound power level, LWA dB	128

\*Disclaimer: Please contact a Sandvik representative for clarification on specifications and options. Sandvik reserves the right to make changes to the information on this data sheet without prior notification to users.