



LONGER WEAR LIFE
REDUCED COST

SANDVIK WK PRE-TENSIONED SCREENING MEDIA SYSTEM



TAILOR MADE PANELS - OPTIMIZED FOR YOU

Our pre-tensioned polymer screening media is intended for installation in screens with crowned screen decks, equipped with support bars. Deck designs do not need to be modified since the WK panel is a direct replacement for wire mesh and other tensioned screen panels.

Another advantage with the system is the possibility to get the panels in smaller pieces than traditional wire mesh and conventional tensioned rubber media, making it much easier and safer to handle.

The WK system fills the gap between our WX and WS-systems and is suitable for both wet and dry applications. Choose the WK6000 rubber panel for dry applications with feed size between 30-250 mm or the WK8500 polyurethane panel for wet applications with feed size between 10-100 mm.

up to **15x**

longer life time than
wire mesh

50%

noise reduction compared
to wire mesh

WK6000



REDUCED MAINTENANCE MORE UPTIME

Our WK pre-tensioned polymer screening media offer a host of capacity-increasing and maintenance-reducing benefits.

INCREASED CAPACITY OVER TIME

The WK panels offer you a much more stable production, with a longer lifetime and fewer production stops for inspections and media changes. The flexible panels keep the screen deck open by preventing pegging and blinding of the cloth, which is an advantage compared to the performance of wire mesh.

TAILOR MADE PANELS – OPTIMIZED FOR YOU

Our WK panels are designed to suit your specific operational needs. The hole pattern is available in standard or closed pitch, depending on whether you want an optimal open area or maximum panel life. And it can be tailored to fit your special requirements – for example, with blank sections in places with a lot of localized wear.

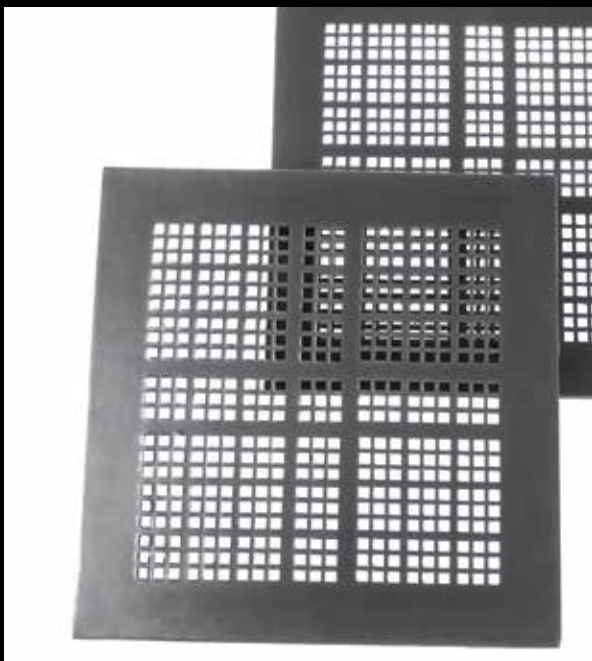
IMPROVED WORKING ENVIRONMENT

Using rubber media on your screens reduces the overall noise level in your plant, improving the working environment for everyone on-site. The soft rubber and the absence of sharp wire ends in combination with smaller panels and thereby lower weight makes it safer to handle, reducing the risk of accidents and injury.

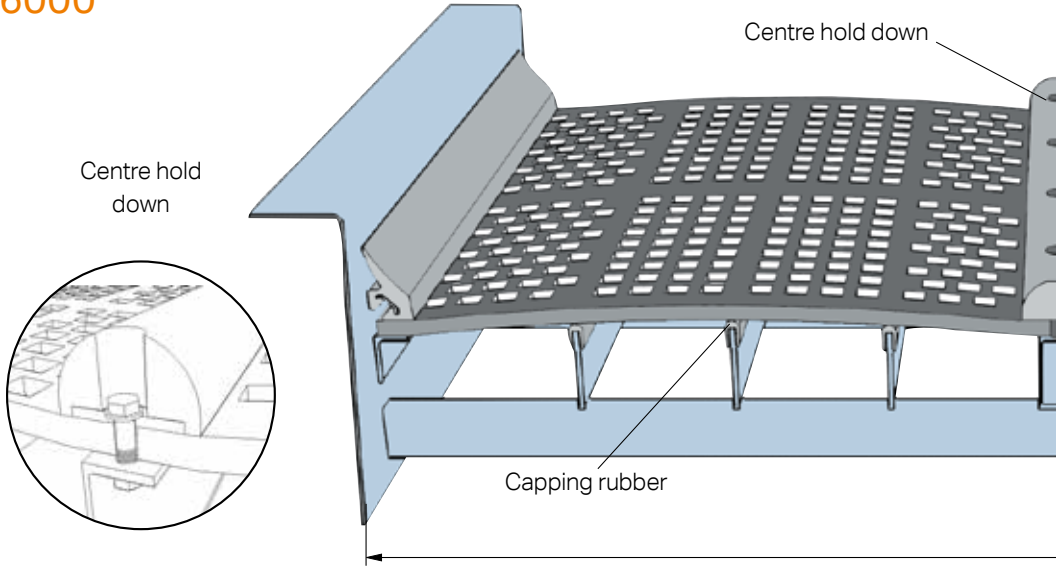
MAXIMUM STABILITY WITHOUT SUBSEQUENT ADJUSTMENT

The panels are secured using the Sandvik hardwearing side/centre hold down system and have a strong reinforcement consisting of a flat bar spring steel frame, giving it stability and eliminating the need for subsequent adjustment. The flat bar reinforcement of the panel enables it to be rolled to a radius, making it suitable for trommel screens.

WK8500



WK6000



PRE-TENSIONED RUBBER SCREEN PANEL

A pre-tensioned rubber screen panel, with punched holes, primarily for fine to medium coarse screening in dry applications with a max feed size of 250 mm.

TYPE

WK6000 pre-tensioned rubber screen panel.

DIMENSIONS

Thickness (mm)	Width Max (mm)	Length Max (mm)
15, 20, 25, 30, 35, 40, 50, 60	2,700	1,000
15, 25	1,700	1,700
20	1,710	1,710
30	1,690	1,690
35	1,680	1,680
40	1,670	1,670
50	1,650	1,650
60	1,630	1,630

Max. width without centre hold down 1500 mm.

INSTALLATION

On crowned screen decks.

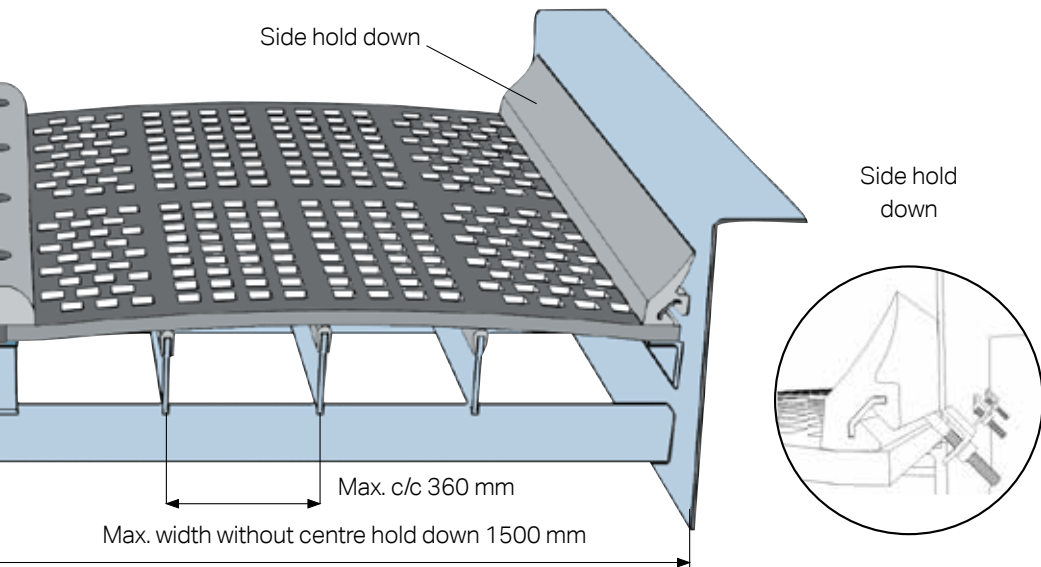
On some screens, changing from cross tensioned to clamps or wedges is impossible making this type of screening media unsuitable.

MATERIALS

Wearing material	60 Shore A rubber.
Reinforcement	Flat steel bar frame and hot stretched Polyester cord fabric.
Tensioning device	Side hold down and centre hold down.

APERTURES

Punched holes, max. 100 mm, staggered or in line. For larger holes contact your Sandvik Mining and Rock Technology representative.



- FR** Square holes in line : Used under normal conditions.
- FS** Square holes staggered: Used to prevent fines tracking with high fines content or on short screens. Slightly reduced open area.
- ST, STS** Slots across the material flow: Used for wet screening and in dewatering screens.
- SL, SLS** Slots with the material flow: Used when higher capacity is desired, accuracy (oversize control) is less important and to avoid pegging in small apertures.
- CR, CS** Round holes: Used for screening coarse crushed material only when extra long wear life is required. Increased risk of pegging. Less open area.

APPLICATIONS

Sandvik pre-tensioned screening media has a wide range of applications but is predominantly used for fine to medium coarse screening with separation between 16 - 90 mm and a max feed lump size between 30-250 mm. In addition to the applications listed in the selection chart, they are also ideal in trommel screens.

RECOMMENDED THICKNESS AND AREA OF USE

SEPARATION (MM)	MAX PARTICLE SIZE (MM)**									
	10	20	30	50	75	100	125	150	200	250
16	-	15	15	15	15	-	-	-	-	-
19 - 24.5	-	-	15	15	15, 20	-	-	-	-	-
31.5	-	-	-	15, 20	20, 25	25	30	-	-	-
37.5	-	-	-	15, 20	20, 25	25, 30	30	-	-	-
45	-	-	-	-	25, 30	30, 35	35, 40	40	-	-
63	-	-	-	-	30, 35	35, 40	40, 50	40, 50	50, 60	-
70 - 90	-	-	-	-	-	35, 40	40, 50	50	60	60
105	-	-	-	-	-	-	50	50, 60	60	60

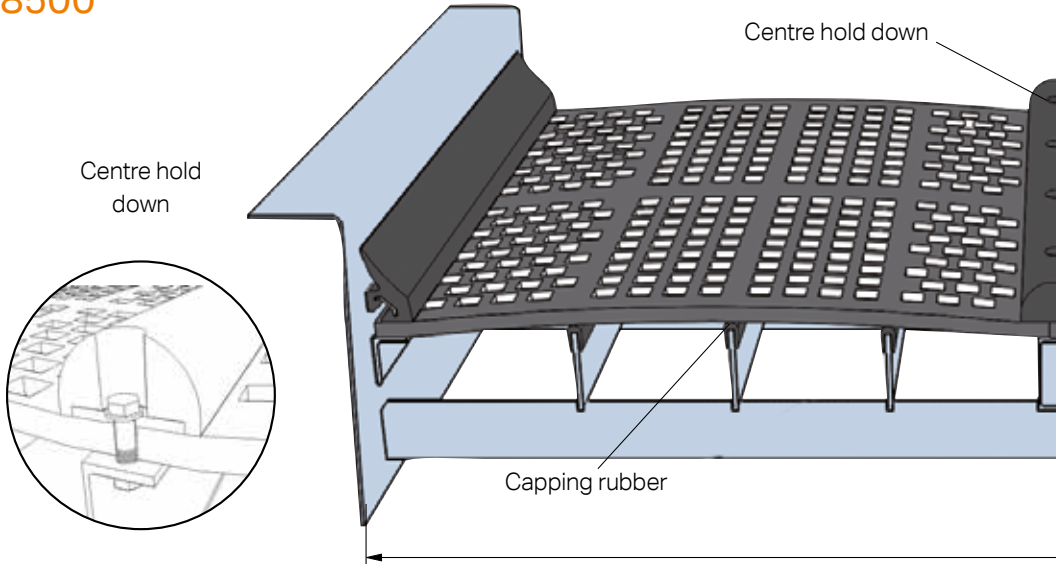
- = Recommended area of use
- = Borderline case
- (orange) = Improbable application
- (red) = Not recommended
- ** Bulk density max. 1.8 metric ton/m³

If your application falls outside the limits specified above, please contact your Sandvik Mining and Rock Technology representative.

NOTE

Do not use in applications with any amount of oil present. The recommended hole size should be 1.25–2.5 times the screen panel thickness (punched holes).

WK8500



PRE-TENSIONED PU SCREEN PANEL

A pre-tensioned polyurethane screen panel with moulded holes primarily for fine to medium coarse screening in wet applications with a max feed size of 100 mm.

TYPE

WK8500 pre-tensioned polyurethane screen panel.

DIMENSIONS

Thickness (mm) Panels + Ribs	Width Max (mm)	Length Max (mm)
Hole size dependent.	2,440	1,500
Max. width without centre hold down 1,500 mm.		

INSTALLATION

On crowned screen decks.

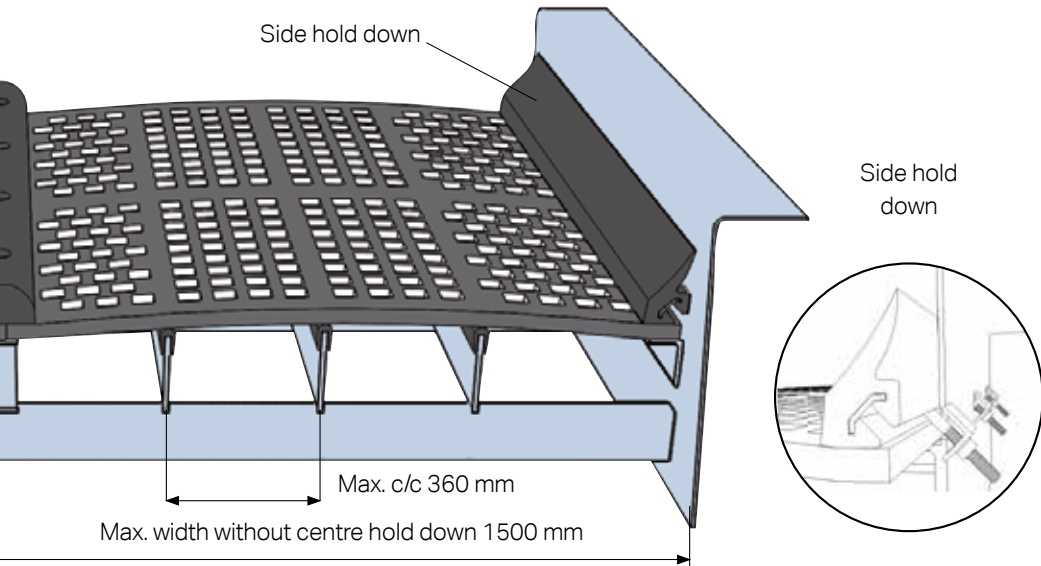
On some screens, changing from cross-tensioning to clamps or wedges is not possible making this type of screening media unsuitable.

MATERIALS

Wearing material	Polyurethane.
Reinforcement	Flat steel bar frame.
Tensioning device	Side hold down and centre hold down.

APERTURES

FR	Square holes 3 - 51 mm in line: Used under normal conditions.
STS	Slots from 0.5 - 14.5 mm across the material flow: Used for wet screening and in dewatering screens.
SLS	Slots from 0.5 - 14.5 mm with the material flow: Used when higher capacity is desired, accuracy (oversize control) is less important and to avoid pegging in small apertures.



APPLICATIONS

Sandvik pre-tensioned PU screening media has a wide range of applications but is predominantly used for wet screening of fine to medium coarse separations, generally with separations between 1 - 45 mm and max feed lump size of 100 mm. In addition to the applications listed in the selection chart, they are also ideal in trommel screens.

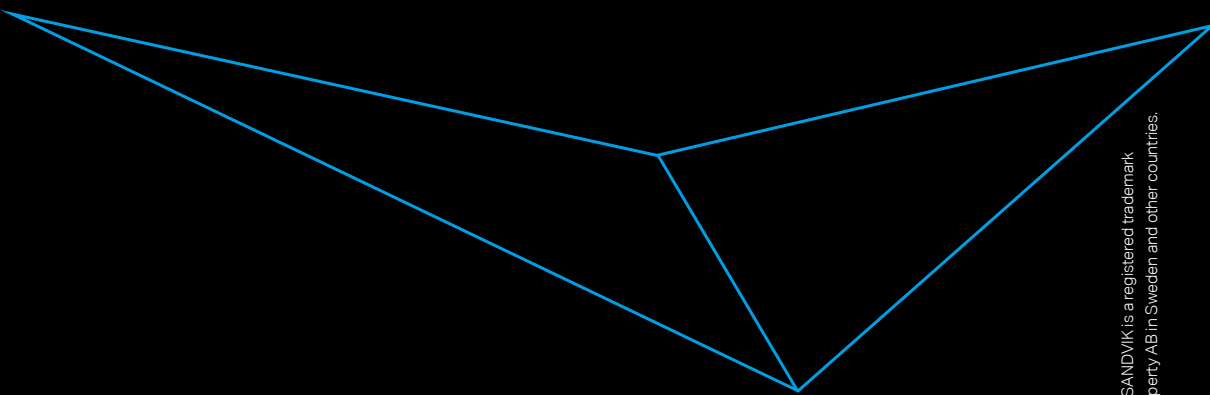
RECOMMENDED THICKNESS AND AREA OF USE

SEPARATION (MM)	MAX PARTICLE SIZE (MM)*						
	10	20	30	50	75	100	125
Dewatering	*	-	-	-	-	-	-
1 - 2	*	*	-	-	-	-	-
4 - 6	*	*	*	-	-	-	-
8	*	*	*	-	-	-	-
10 - 12.5	-	*	*	*	-	-	-
16	-	*	*	*	*	-	-
19 - 25.4	-	-	*	*	*	*	-
31.5	-	-	-	*	*	*	*
37.5	-	-	-	*	*	*	*
45	-	-	-	-	*	*	*

- = Recommended area of use
- = Improbable application
- = Borderline case
- = Not recommended

* Sandvik WK8500 pre-tensioned PU screen
Panel thickness is hole size dependent
** Bulk density max. 1.8 metric ton/m³

If your application falls outside the limits specified above, please contact your Sandvik Mining and Rock Technology representative.



F5-957/ENG © Sandvik AB 2017 SANDVIK is a registered trademark owned by Sandvik Intellectual Property AB in Sweden and other countries.

Test results are to be considered as results reached under certain and controlled test conditions. These test results should not be treated as specifications and Sandvik does not guarantee, warrant or represent the outcome of test results in any or all circumstances.

CONSTRUCTION.SANDVIK.COM

